

**Inspection Report**

Report No.: XYL-150802  
 Supplier : XY-GLOBAL

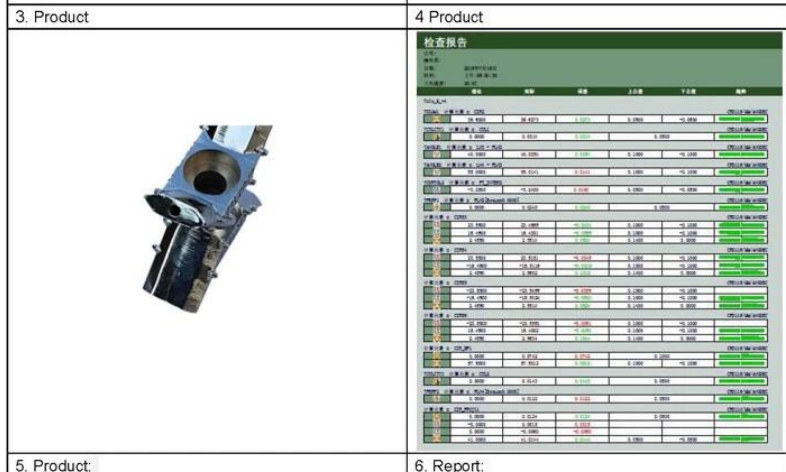
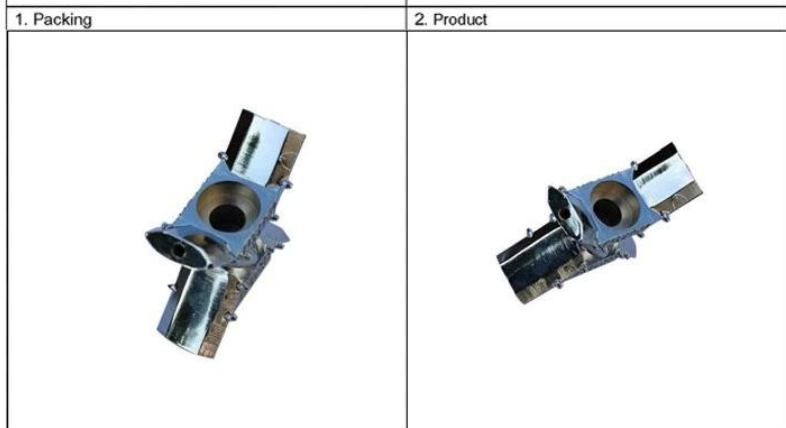
Inspection Date:14<sup>th</sup> Sep, 2015  
 Inspector: Leo

Inspection only for: PO . XYL-150802 Item No. XY11XL045	Inspection Result: PASS
--	----------------------------

Description	Finished Q'ty	Sample Size	Defect Found	Defects Description	Acceptable Q'ty
XY11XL045	14000PCS	1% inspection	Opcs	No failure	14000pcs

<b>Appearance Inspection :</b>
No failure,
<b>Dimension Inspection:</b>
No failure , below measurement report for reference.
<b>Assembly Test:</b>
No failure
<b>Inspection Summary</b>
The inspection sample plan is 100% inspection.

Digital photo records :







High qualified surface treatment can make your parts perfect !!!

