

Inspection Report

Report No.: XYSK-140615
 Supplier : XY-GLOBAL

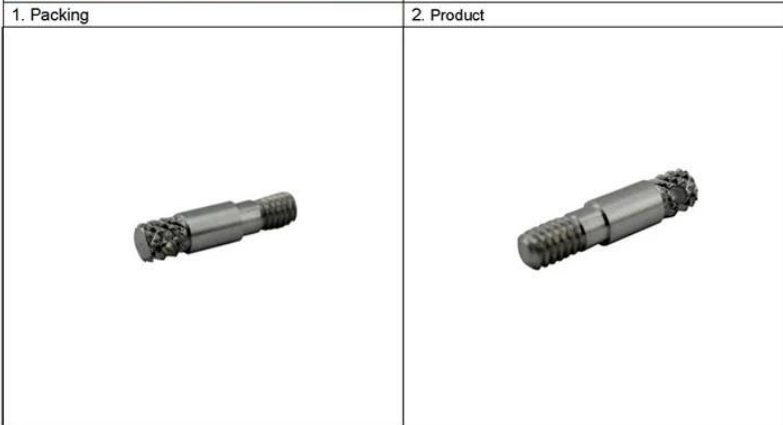
Inspection Date: 10th July, 2014
 Inspector: Leo

Inspection only for: PO . XYSK-140615 Item No. XY31SY015	Inspection Result: PASS
---	-----------------------------------

Description	Finished Q'ty	Sample Size	Defect Found	Defects Description	Acceptable Q'ty
XY31SY015	10000PCS	1% inspection	0pcs	No failure	10000pcs

Appearance Inspection :
No failure,
Dimension Inspection:
No failure , below measurement report for reference.
Assembly Test:
No failure
Inspection Summary
The inspection sample plan is 100% inspection.

Digital photo records :



5. Product:	6. report
-------------	-----------

