

**Inspection Report**

Report No.: XYSJ-140707  
 Supplier : XY-GLOBAL

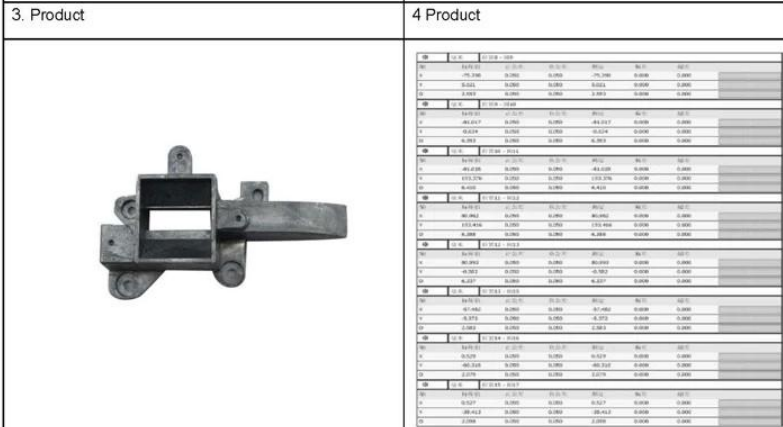
Inspection Date: 9<sup>th</sup> Aug, 2014  
 Inspector: Leo

Inspection only for: PO . XYSJ-140707 Item No. XY11KA004	<b>Inspection Result:</b> PASS
---	-----------------------------------

Description	Finished Q'ty	Sample Size	Defect Found	Defects Description	Acceptable Q'ty
XY11KA004	28000PCS	5% inspection	0pcs	No failure	28000pcs

<b>Appearance Inspection :</b>
No failure,
<b>Dimension Inspection:</b>
No failure , below measurement report for reference.
<b>Assembly Test:</b>
No failure
<b>Inspection Summary</b>
The inspection sample plan is 100% inspection.

Digital photo records :



5. Product: 6. The test report





High qualified surface treatment can make your parts perfect !!!

