

Inspection Report

Report No.: XYS-130515
 Supplier : XY-GLOBAL

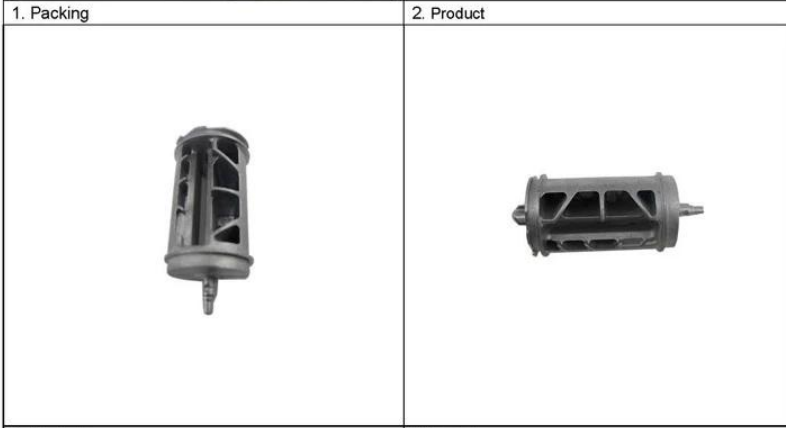
Inspection Date: 12th Jun, 2013
 Inspector: Leo

| | |
|--|-----------------------------------|
| Inspection only for: PO . XYS-130515 Item No. XY11SL022 | Inspection Result: PASS |
|--|-----------------------------------|

| Description | Finished Q'ty | Sample Size | Defect Found | Defects Description | Acceptable Q'ty |
|-------------|---------------|---------------|--------------|---------------------|-----------------|
| XY11SL022 | 8000PCS | 5% inspection | 0pcs | No failure | 8000pcs |

| |
|--|
| Appearance Inspection : |
| No failure, |
| Dimension Inspection: |
| No failure , below measurement report for reference. |
| Assembly Test: |
| No failure |
| Inspection Summary |
| The inspection sample plan is 100% inspection. |

Digital photo records :



| | |
|-------------|--------------------|
| 5. Product. | 6. The test report |
|-------------|--------------------|

Safety is our serious job for our worker and engineer team

