

Inspection Report

Report No.: XYS-130515
 Supplier : XY-GLOBAL

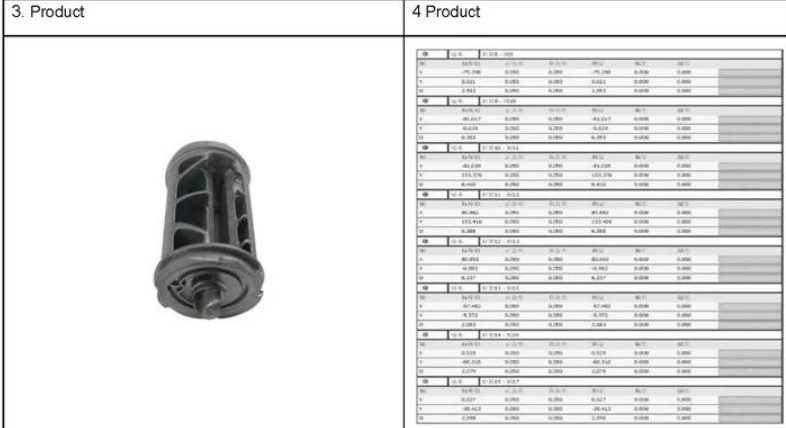
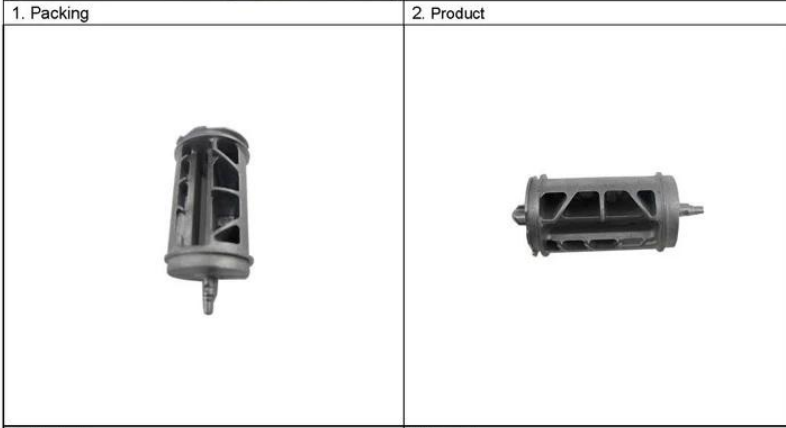
Inspection Date: 12th Jun, 2013
 Inspector: Leo

Inspection only for: PO . XYS-130515 Item No. XY11SL022	Inspection Result: PASS
--	-----------------------------------

Description	Finished Q'ty	Sample Size	Defect Found	Defects Description	Acceptable Q'ty
XY11SL022	8000PCS	5% inspection	0pcs	No failure	8000pcs

Appearance Inspection :
No failure,
Dimension Inspection:
No failure , below measurement report for reference.
Assembly Test:
No failure
Inspection Summary
The inspection sample plan is 100% inspection.

Digital photo records :



5. Product. 6. The test report

Safety is our serious job for our worker and engineer team

