

Inspection Report

Report No.: XYSJ-140707
 Supplier : XY-GLOBAL

Inspection Date: 9th Aug, 2014
 Inspector: Leo

Inspection only for: PO . XYSJ-140707 Item No. XY11KA004	Inspection Result: PASS
---	-----------------------------------

Description	Finished Q'ty	Sample Size	Defect Found	Defects Description	Acceptable Q'ty
XY11KA004	28000PCS	5% inspection	0pcs	No failure	28000pcs





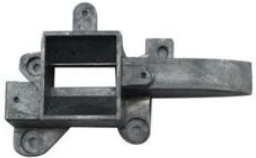
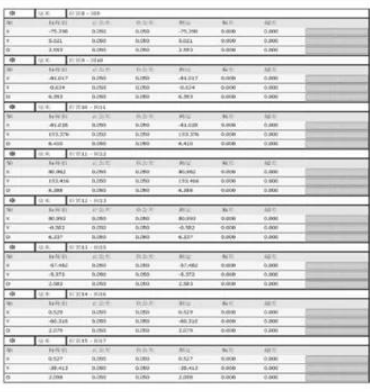
Appearance Inspection :
 No failure,

Dimension Inspection:
 No failure , below measurement report for reference.

Assembly Test:
 No failure

Inspection Summary
 The inspection sample plan is 100% inspection.

Digital photo records :

	
1. Packing	2. Product
	
3. Product	4 Product
	
5. Product:	6. The test report



High qualified surface treatment can make your parts perfect !!!

