

**Inspection Report**

Report No.: XYS-130515  
 Supplier : XY-GLOBAL

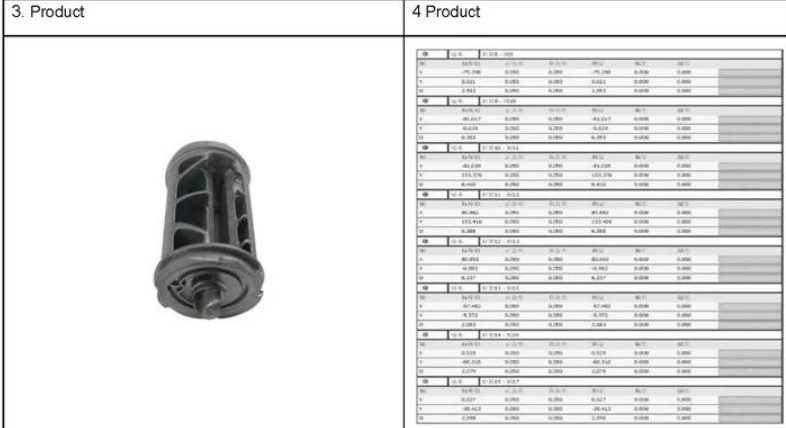
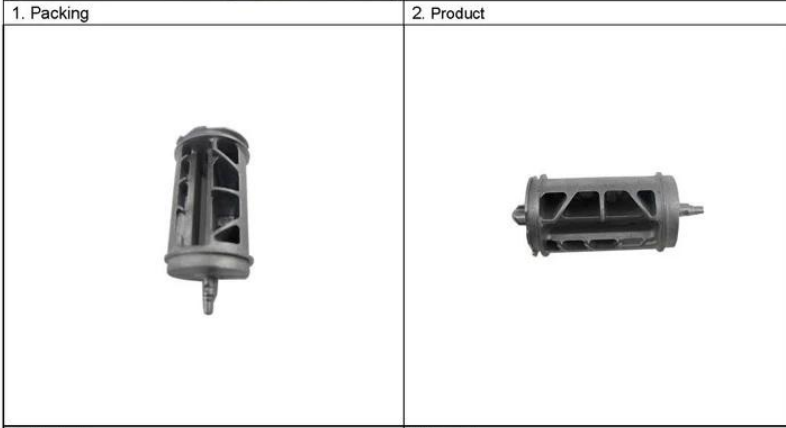
Inspection Date: 12<sup>th</sup> Jun, 2013  
 Inspector: Leo

Inspection only for: PO . XYS-130515 Item No. XY11SL022	<b>Inspection Result:</b> PASS
--	-----------------------------------

Description	Finished Q'ty	Sample Size	Defect Found	Defects Description	Acceptable Q'ty
XY11SL022	8000PCS	5% inspection	0pcs	No failure	8000pcs

<b>Appearance Inspection :</b>
No failure,
<b>Dimension Inspection:</b>
No failure , below measurement report for reference.
<b>Assembly Test:</b>
No failure
<b>Inspection Summary</b>
The inspection sample plan is 100% inspection.

Digital photo records :



5. Product.	6. The test report
-------------	--------------------



Safety is our serious job for our worker and engineer team

