

**Inspection Report**

Report No.: XYSK-140615  
 Supplier : XY-GLOBAL

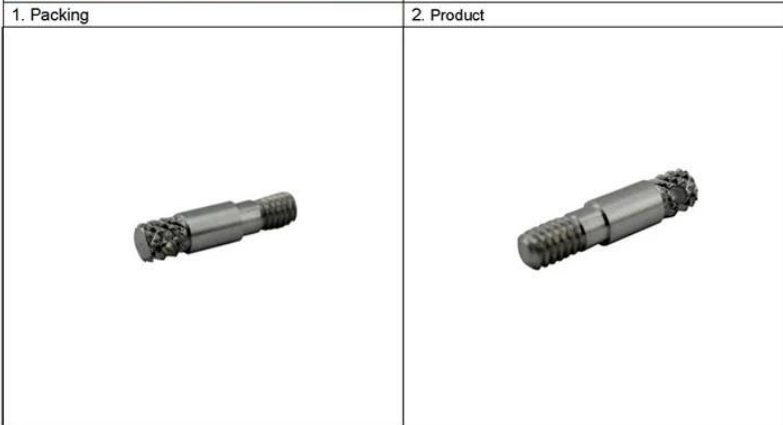
Inspection Date: 10<sup>th</sup> July, 2014  
 Inspector: Leo

Inspection only for: PO . XYSK-140615 Item No. XY31SY015	<b>Inspection Result:</b> PASS
---	-----------------------------------

Description	Finished Q'ty	Sample Size	Defect Found	Defects Description	Acceptable Q'ty
XY31SY015	10000PCS	1% inspection	0pcs	No failure	10000pcs

<b>Appearance Inspection :</b>
No failure,
<b>Dimension Inspection:</b>
No failure , below measurement report for reference.
<b>Assembly Test:</b>
No failure
<b>Inspection Summary</b>
The inspection sample plan is 100% inspection.

Digital photo records :



5. Product:	6. report
-------------	-----------



Products	<a href="#">cnc precision machined parts factory</a> ,cnc machined parts distributor,precision machining parts manufacturer,precision cnc machining supplier,CNC Machining part,CNC Lathe Processing,CNC Turning Part,CNC turing parts
Materials	Aluminum AL6061 AL6065,AL6063 ,AL7075, SUS304,SUS303,SUS316,POM etc
Dimensions	According to customer's drawing
Surface treatment	Heat treatment, polishing, coating, galvanized, electroplating, spraying, and painting and so on
Packing	Wooden box, or as per the customer's requirements
Processing equipments	CNC machining center, grinding machine, milling machine parts, drilling machine parts, horizontal milling machine, chamfering machine, CNC cutting machine etc.
Measure equipment	Hardness tester, precision plug gague, gauge block, digital outside micrometer, outside micrometer, digital caliper, inside micrometer, inside dial indicator, dial vernier caliper, dial indicator, depth vernier caliper and so on
MOQ	negotiable
Precision/Tolerance	+/-0.01mm
Payment	T/T 50% deposit in advance ,50% T/T before shipment ;or others.
Business scope	CNC center machining, cnc machining, cnc drilling, cnc turning, grinding, tapping, mould design and processing, casting, sheet mental working etc
Application	Automation machine, medical device, industrial machine, automobile, electric appliance, and other industries, cnc machining parts, auto parts
Ports	Shenzhen China
Delivery	20-25 days after T/T 50% deposit
Main equipments	cnc machine center
1.Name: Factory Price OEM cnc machining parts	
2.Process: Aluminum die casting, cnc machining	
3.Material: AL6061 AL6065,AL6063 ,AL7075 POM etc	
4.Surface:Polishing, powder coated, anodized, nickle plating, chromate etc	
5.Tolerance: can reach to +/-0.01mm	
6.Quality control: 100% inspected	
7.Specification: OEM serice, strictly per drawing and samples	
8. Sample delivery time: 25-30 days, per products.	
9. Application: cnc machining parts,mining accessories, machinery accessoried, industrial, auto parts,etc	
10. Customer: USA,Canada, Austrial, EU etc.	
11. Certification: ISO 9001	
Our Advantage	
1. 10 years experience with ISO certified	
2. All kinds of material is available	
3. All kindls of sureface finishment is aailable	
4. High quality with competitive price	
5. Fast delivery time	
6. Sample available	
7. Have export experience to all over the world	
Our Services	
CNC machining parts sample: Can supply for test	
CNC machining parts packing: Standard packing	
CNC machining parts certification: ISO9001	
CNC machining parts quality: Strictly quality control	
CNC machining parts OEM is welcomed	